

***3SM127F4T1UE* AEC-Q103 Qualified MEMS Microphone IC**

Product Description

The *3SM127F4T1UE* microphone IC are integrated with specialized pre-amplification ASIC to provide high sensitivity, high SNR output from a capacitive audio sensor. It's packaged for surface mounting and high temperature reflow assembly. *3SM127F4T1UE* which is able to endure reflow temperature up to 260°C for 30 seconds can be used in SMT process. It is widely used in automotive and industrial electronics device.

Features

- AEC-Q100/103 qualified
- Top port
- High stability - no risk of membrane aging
- Suitable for automatic pick-and-place handler and SMT process
- Miniature dimension 3.76mm x 2.95mm x 1.10mm
- Low current consumption 80uA
- RoHS/Green compliant
- Sensitivity deviation within ± 1 dB
- Package type : LGA 4-pin
- Omnidirectional

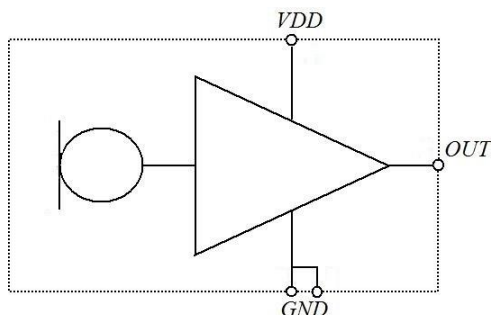
Applications

- Automotive
- Industrial

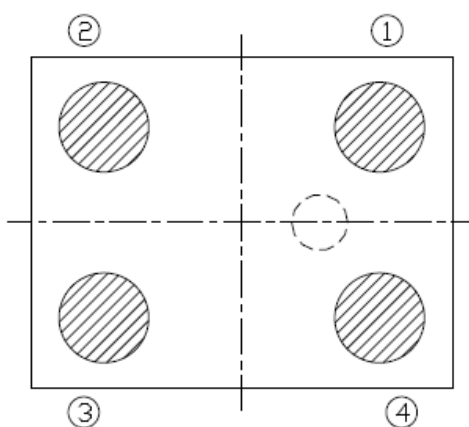
Table of Contents

Product Description	P.1
Features	P.1
Applications	P.1
Table of Contents.....	P.2
Functional Block Diagram	P.3
Pin Definition and Function	P.3
Temperature Range	P.3
Acoustical and Electrical Characteristics.....	P.4
Frequency Response	P.5
Reliability Qualifications	P.6
Reflow Profile	P.7
PCB Land Pattern Layout	P.8
Application Circuit	P.9
Handling Instructions	P.10
Dimensions	P.11
Package Information	P.12
Revision History	P.14

Functional Block Diagram



Pin Definition and Function



Bottom View

Table 1

Pin #	Symbol	Function
1	VDD	Power supply
2	GND	Ground
3	GND	Ground
4	OUTPUT	Analog signal output

Temperature Range

Table 2

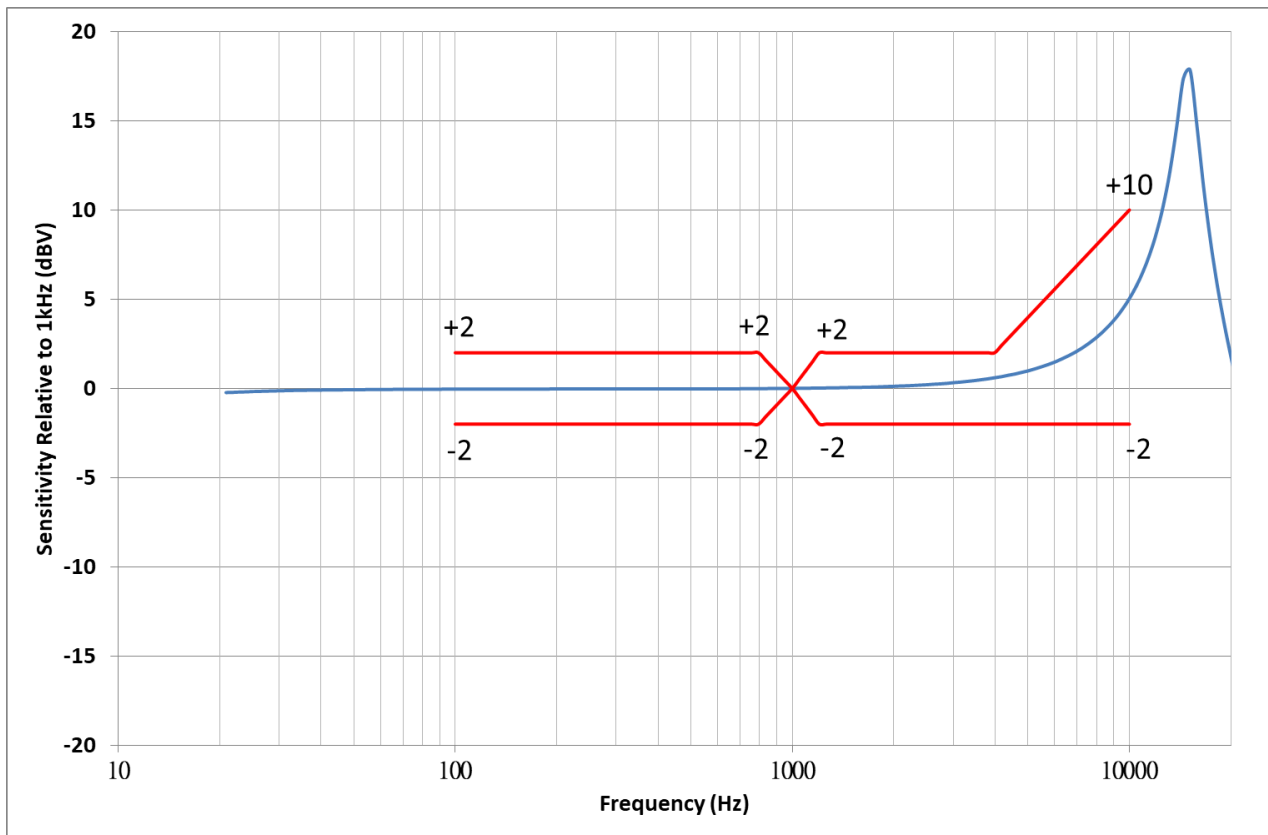
Storage Temperature	T _{STG}	-40°C ~ 150°C
Operating Temperature Range	T _A	-40°C ~ 125°C

Acoustical and Electrical Characteristics

Table 3 Typical test conditions are $T_A = 23\text{ }^\circ\text{C}$, $V_{DD} = 2.1\text{ V}$ and $R.H. = 50\%$ measured in a pressure chamber test setup. All voltages refer to GND node

Parameters	Symbol	Min.	Typ.	Max.	Unit	Test Conditions
Acoustic						
Sensitivity	S	-43	-42	-41	dBV/Pa	1KHz, 94dB SPL
Signal to Noise Ratio	S/N		60		dB	A-weighted
Equivalent Noise Level	ENL		34		dB	A-weighted
Total Harmonic Distortion	THD		0.1		%	94dB SPL
			1		%	120dB SPL
Acoustic Overload Point	AOP		130		dB SPL	10% THD @ 1KHz, S = Typ.
Low Frequency Roll-off	LFRO		<20		Hz	-3dB relative to 1KHz
Electrical						
Supply Voltage	V _{DD}	1.6		3.6	V	
Current Consumption	I _{sb}		80		μA	V _{DD} =2.1V
			80		μA	V _{DD} =3.6V
Power Supply Rejection	PSR+N		-93		dBV(A)	217Hz, 100 mV peak to peak square wave on V _{CC} 2.1V
Power Supply Rejection Ratio	PSRR		63		dB	1KHz, 200 mV peak to peak sine wave on V _{CC} 2.1V
Output Impedance	Z _{out}			200	Ω	@ 1KHz
Output DC Offset			1.3		V	
Directivity	Omnidirectional					
Polarity	Increasing Output Voltage					Increasing sound pressure

Frequency Response



Typical frequency response normalized to 1KHz (Measured)

Upper Limit						
Hz	100	800	1000	1200	4000	10000
dB ref. 1KHz	+2	+2	0	+2	+2	+10
Lower Limit						
Hz	100	800	1000	1200	4000	10000
dB ref. 1KHz	-2	-2	0	-2	-2	-2

Reliability Qualifications

Table 4

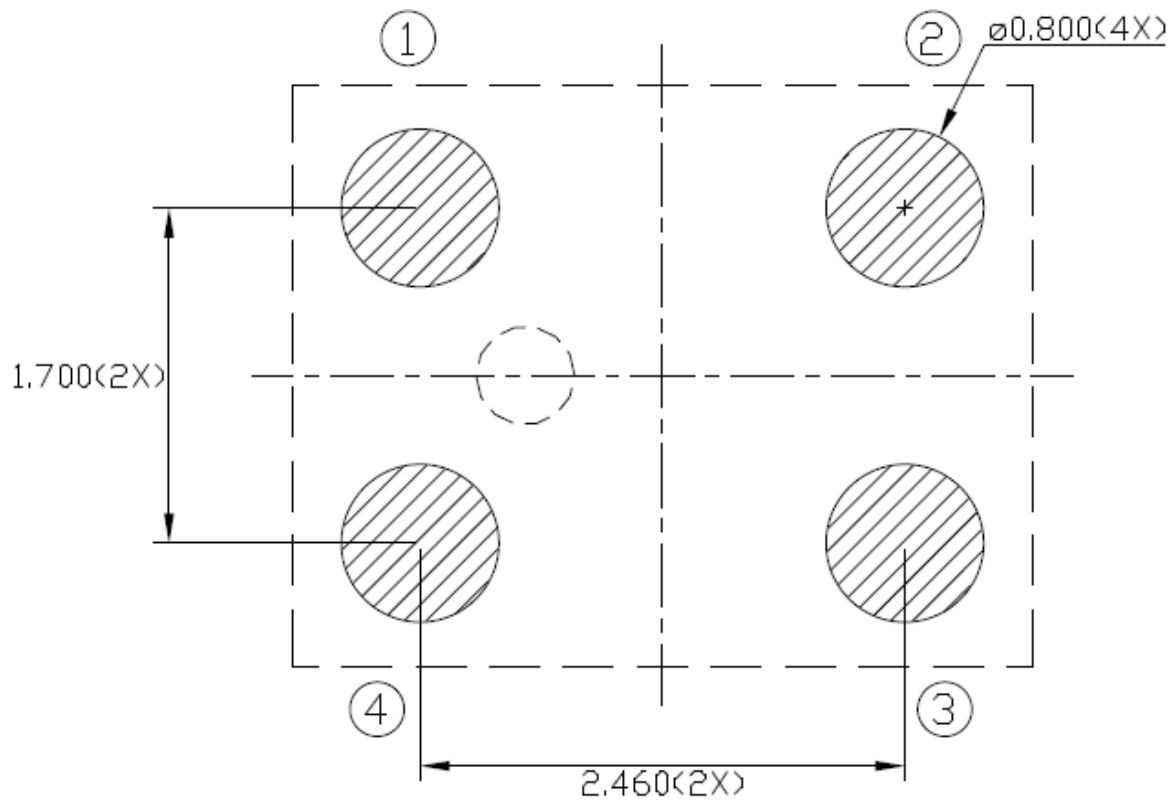
Test Item	Description	Standard	Result
High Temperature Operating Life	T _A =125°C, V _{CC} =3.6V, 1000hours	AEC Q100 Rev.H	PASS
Low Temperature Operation Life	T _A =-40°C, V _{CC} =3.6V, 1000hours	JESD22-A108	PASS
High Temperature Storage Life	T _A =150°C, 1000hours	AEC Q100 Rev.H	PASS
Low Temperature Storage Life	T _A =-40°C, 1000hours	JESD22-A119	PASS
Pre-Condition	Temperature cycling 5 cycles, Bake 24hrs, Moisture sock 168hrs, Reflow 3 cycles	JESD22-A113	PASS
Temperature Humidity Bias	T _A =125°C, R.H.=85%, V _{CC} =3.6V, 1000hours	AEC Q100 Rev.H	PASS
Thermal Cycling	T _A =-55°C to 150 °C, 1000cycles	AEC Q100 Rev.H	PASS
Humidity & Temperature Cycle	+65°C/90%RH +45°C/95%RH -10°C , 5cycles	AEC Q103-003	PASS
Reflow	Peak temperature = 260°C, 5cycles	J-STD-020	PASS
Variable Frequency Vibration	Peak acceleration 20G, frequency = 20Hz to 2KHz, total 48min duration	AEC Q103-003	PASS
Mechanical Shock	Peak acceleration 10KG, 0.2ms pulse duration, 3 pulses/direction, 6 directions	JESD22-B104	PASS
Package Drop	10 drops on each of 6 faces (total 60 drops) from a high of 1.2m to concrete surface	AEC Q100 Rev.H	PASS
ESD	HBM : All pins, Test Voltage=±3KV	JESD22-A114	PASS
	MM : All pins, Test Voltage=±300V	JESD22-A115	PASS
	CDM : All pins, Test Voltage=±500V	JEDEC JS-002	PASS
	Air Discharge : Test Voltage=±15KV	IEC 61000-4-2	PASS
	Contact Discharge : Test Voltage=±8KV	IEC 61000-4-2	PASS
Latch-up	Class II, T _A =105°C, I=±150mA	AEC Q100 Rev.H	PASS

Notes: Microphones meet all acoustic and electrical specifications before and after reliability testing, except sensitivity which can deviate up to 3dB.

After 3 reflow cycles, the sensitivity of the microphone shall not deviate more than 1 dB from its initial value

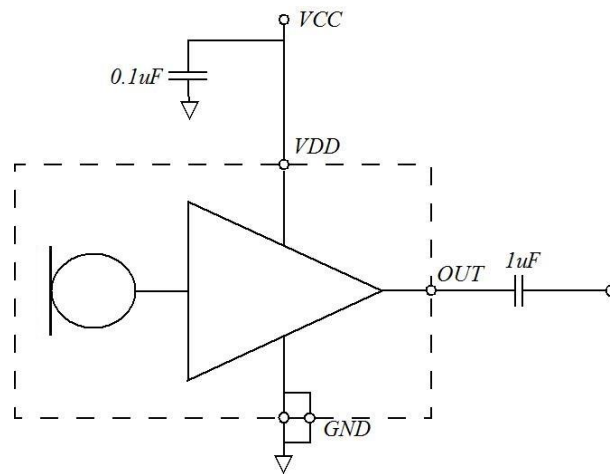
PCB Land Pattern Layout

Recommended Land Pattern



Application Circuit

Typical Application:

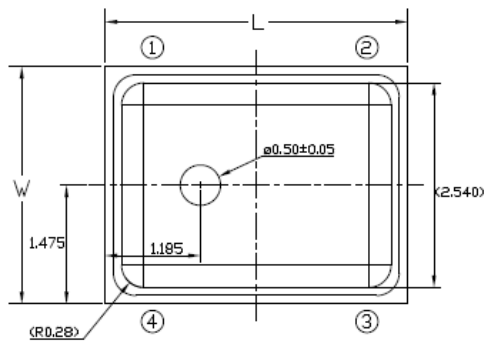


Handling Instructions

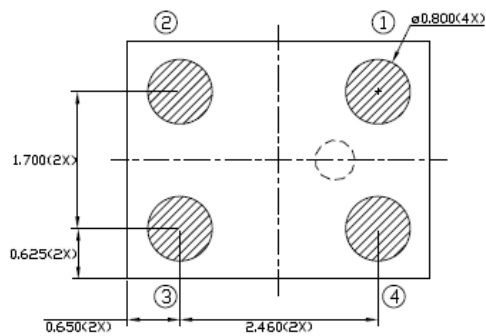
The MEMS microphone IC can be handled using standard pick-and-place and chip-shooting equipment. Care should be taken to avoid damage to the MEMS microphone IC structure as follows:

- Do not apply vacuum nozzle over the acoustic port (AP) of the microphone to avoid damage to the device.
- Do not blow air directly into acoustic port. If air gun cleaning is required, the minimum distance is 10cm and the maximum air blow pressure is 30psi.
- Brushing the board with/without solvents may damage the device.
- Do not use excessive force to place the microphone on the PCB.
- In case of manual handling, it should be handled with plastic tweezers to avoid damage to the device.
- Do not open and remove IC from packaging until devices are ready to be mounted.
- Suggest PCB depaneling be done with depaneling cutter/router, or manually de-panel PCB with care and without any contact of MEMS Microphone IC.

Dimensions

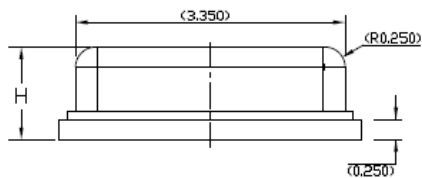


Top View



Bottom View

Unit: mm



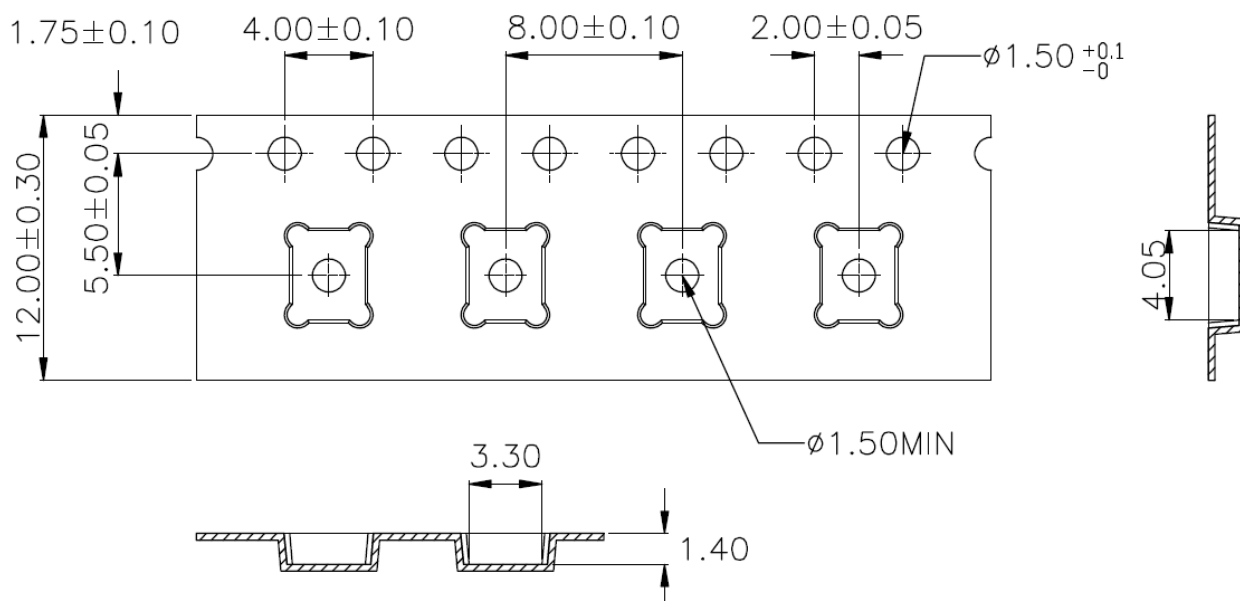
Side View

Table 6(Top View)

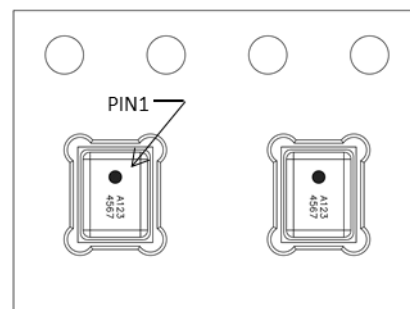
Item	Dimension	Tolerance
Length (L)	3.76 mm	± 0.10 mm
Width (W)	2.95 mm	± 0.10 mm
Height (H)	1.10 mm	± 0.10 mm
Acoustic Port	$\Phi 0.5$ mm	± 0.05 mm

Package Information

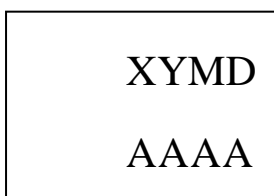
Carrier Tape:



1. 10 sprocket hole pitch cumulative tolerance ± 0.20 .
2. Carrier camber is within 1 mm in 250 mm.
3. Material : Black Conductive Polystyrene Alloy.
4. All dimensions meet EIA-481 requirements.
5. Thickness : 0.30 ± 0.05 mm.
6. MSL(Moisture sensitivity level) Class1.

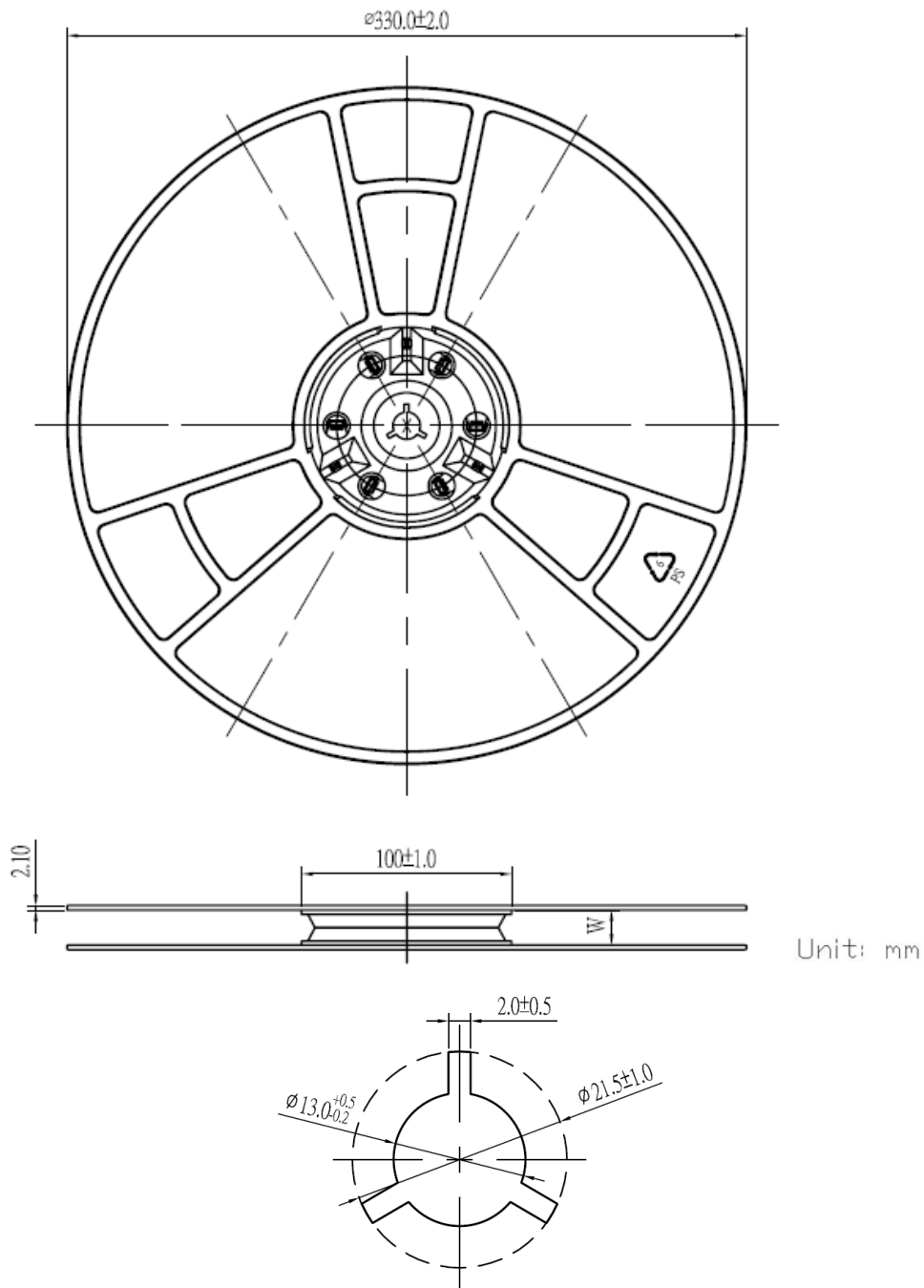


Laser Marking:



Laser marking on the top side

XYMD	Internal Tracking Code(X:Subject to change without notice) Date Code(Y:Year; M:Month; D:Day)
AAAA	Lot Tracking Code

13" Tape Reel :


Model Number	Reel Diameter	Quantity Per Reel
3SM127F4T1UE	13"	5,000

Revision History

Revision	Date	Description
1.0	2021/06/10	Formal release
1.1	2021/08/16	Modify “Acoustical and Electrical Characteristics”
1.2	2021/09/16	Modify “Reliability Qualifications”
1.3	2022/02/10	Modify “Reliability Qualifications”
1.4	2022/06/06	Modify “Features”
1.5	2022/06/30	Modify “Package Information”